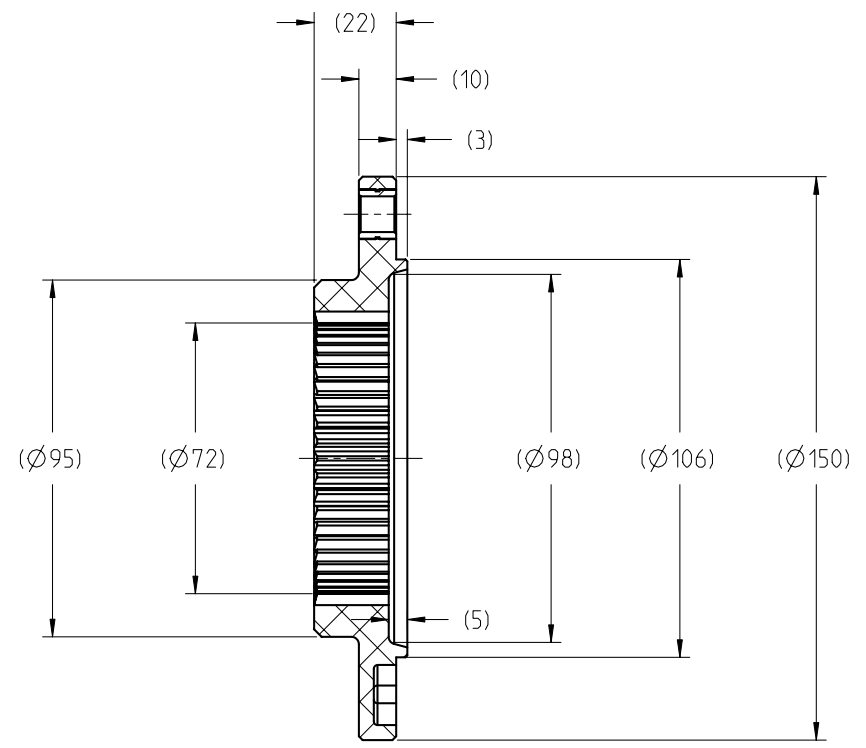


SCALE 1:2



SECTION C-C

THIS DOCUMENT CONTAINS CONFIDENTIAL INFORMATION PROPRIETARY TO KTR CORPORATION, NOT TO BE COPIED WITHOUT WRITTEN APPROVAL. NOTE PROTECTION MARK ACC. TO DIN 34 SCALE 3:4 SIZE B

BoWex 48-150  
FLE-PA Flange

**KTR** CORPORATION  
P.O. Box 9065 Michigan City, IN 46361  
PHONE: 219-872-9100 - FAX: 219-872-9150

ALL DIMENSIONS REFERENCE

THIRD ANGLE PROJ.	DRAWN	MATERIAL		TYPE	CURRENT NUMBER	REV.
REMOVE ALL BURRS AND SHARP EDGES	DATE 09.09.09	DIN		M	496347	0
	NAME WARNKE	WEIGHT	0.418 lbs.			